

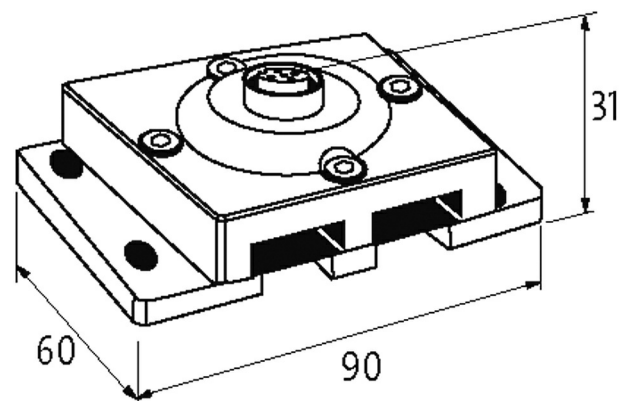
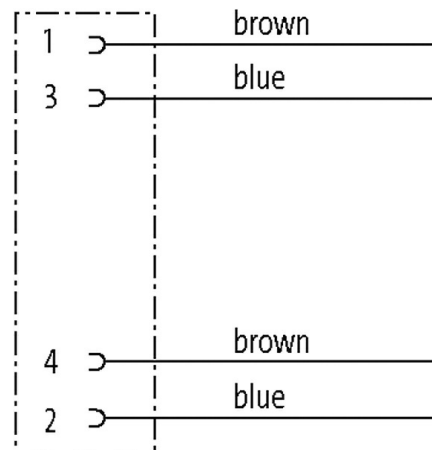
MASI67 INSTALLATION TECHNOLOGY

Converter 2x profile cable to M12 female

MASI67 converter

2x profile cable to M12 (female)

Connection cables are in the online shop under "Connection Technology".

Illustration

Product may differ from Image

Approvals


Contact Layout

PIN 1	AS-Interface + (brown)
PIN 2	0 V (blue)
PIN 3	AS-Interface - (blue)
PIN 4	+24 V (brown)
PIN 5	n.c.

General data

Test isolation voltage	AS-Interface/Power 200 V, (EN 60664-1)
Protection	IP67
Mounting method	DIN-rail mountable (EN 60715) or screw fixing
Temperature range	-20...+60 °C (storage temperature -40...+80 °C)
Dimensions H×W×D	90×74×30.5 mm

Technical Data

Operating voltage	max. 36 V DC
Total current	max. 4 A

Commercial data

country of origin	DE
customs tariff number	85369010
EAN	4048879052146
eClass	27400209
Packaging unit	1